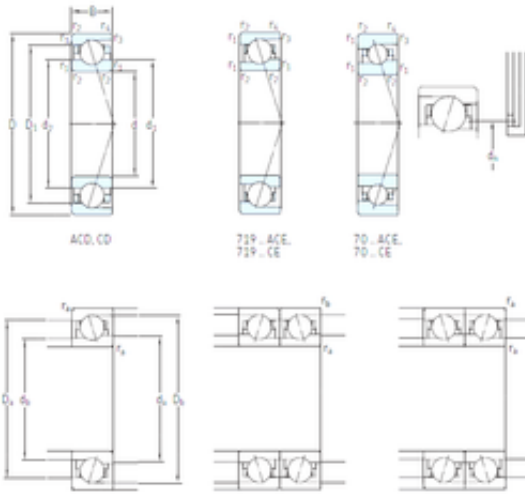




Off-the-shelf SKF shaft Co., Ltd



35 mm x 62 mm x 14 mm SKF 7007 CB/HCP4A Special EP (Extra Pure) steel Precision Bearings

Bearing No. 7007 CB/HCP4A

7007 CB/HCP4A Bearing 2D drawings and 3D CAD models

Size	35x62x14 mm
Bore Diameter	35 mm
Outer Diameter	62 mm
Width	14 mm
d	35 mm
D	62 mm
B	14 mm
C	14 mm
d1	45,5 mm
d2	44,3 mm
r1 min.	1 mm
r2 min.	1 mm
r3 min.	0,6 mm
r4 min.	0,6 mm
D1	53,4 mm
D2	53,4 mm
da min.	39,6 mm
Da max.	57,4 mm
db min	39,6 mm
ra max.	1 mm
rb max.	0,6 mm
dh	46,1 mm
Db max	58,8 mm
Weight	0,16 Kg
Basic dynamic load rating (C)	6,89 kN



Off-the-shelf SKF shaft Co., Ltd

Basic static load rating (C0)	4,8 kN
(Grease) Lubrication Speed	38 000 r/min
(Oil) Lubrication Speed	60 000 r/min
Fatigue load limit (Pu)	0,204
d ₁	45.45 mm
d ₂	44.34 mm
D ₂	53.38 mm
r _{1,2} min.	1 mm
r _{3,4} min.	0.6 mm
a	13.6 mm
d _a min.	39.6 mm
d _b min.	39.6 mm
D _a max.	57.4 mm
D _b max.	58.8 mm
r _a max.	1 mm
r _b max.	0.6 mm
d _n	46.1 mm
Basic dynamic load rating C	9.36 kN
Basic static load rating C ₀	8.3 kN
Fatigue load limit P _u	0.204 kN
Attainable speed for grease lubrication	38000 r/min
Attainable speed for oil-air lubrication	60000 r/min
Ball diameter D _w	4.762 mm
Number of balls z	23
Reference grease quantity G _{ref}	1.81 cm ³
Preload class A G _A	23 N
Static axial stiffness, preload class A	28 N/ μ m
Preload class B G _B	46 N
Static axial stiffness, preload class B	36 N/ μ m



Off-the-shelf SKF shaft Co., Ltd

Preload class C G_C	140 N
Static axial stiffness, preload class C	58 N/ μ m
Calculation factor f	1.04
Calculation factor f_1	1
Calculation factor f_{2A}	1
Calculation factor f_{2B}	1.02
Calculation factor f_{2C}	1.05
Calculation factor f_{HC}	1.01
Calculation factor f_0	9.6
Mass bearing	0.16 kg