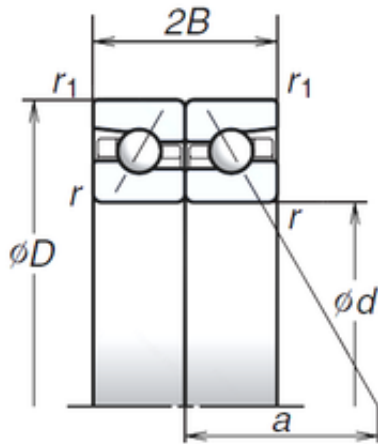




Off-the-shelf SKF shaft Co., Ltd



75BAR10S Bearing 2D drawings and 3D CAD models

75 mm x 115 mm x 18 mm NSK 75BAR10S Special Polyamide cage design Precision Bearings

Bearing No. 75BAR10S

| | |
|-------------------------------|--------------|
| Size | 75x115x18 mm |
| Bore Diameter | 75 mm |
| Outer Diameter | 115 mm |
| Width | 18 mm |
| d | 75 mm |
| D | 115 mm |
| B | 18 mm |
| C | 18 mm |
| Angle (°) | 30 ° |
| a | 36,1 mm |
| r min. | 1,1 mm |
| r1 min. | 0,6 mm |
| 2B | 36 mm |
| Weight | 0,634 Kg |
| Basic dynamic load rating (C) | 27,3 kN |
| Basic static load rating (C0) | 58 kN |
| (Grease) Lubrication Speed | 7 900 r/min |
| (Oil) Lubrication Speed | 10 000 r/min |