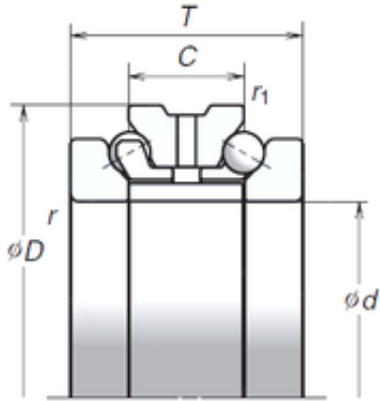




# Off-the-shelf SKF shaft Co., Ltd

## NSK 190TAC29D+L Special Polyamide cage design Precision Bearings



Bearing No. 190TAC29D+L

Size	190x260x84 mm
Bore Diameter	190 mm
Outer Diameter	260 mm
Width	84 mm
d	190 mm
D	260 mm
T	84 mm
C	42 mm
Angle ( ° )	60 °
r min.	2 mm
r1 min.	1 mm
Da	247 mm
ra max.	2 mm
rb max.	1 mm
da	217 mm
Weight	11,2 Kg
Basic dynamic load rating (C)	161 kN
Basic static load rating (C0)	695 kN
(Grease) Lubrication Speed	2 000 r/min

190TAC29D+L Bearing 2D drawings and 3D CAD models