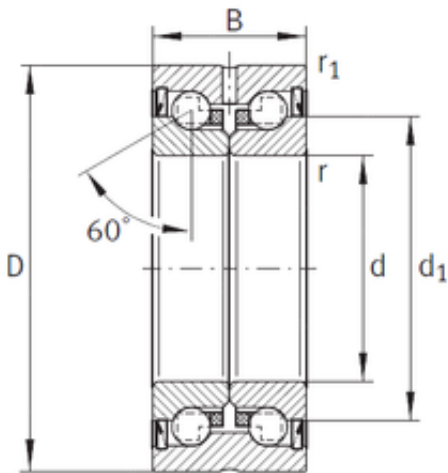




Off-the-shelf SKF shaft Co., Ltd



35 mm x 72 mm x 34 mm INA ZKLN3572-2RS Super high-speed angular contact ball bearings

Bearing No. ZKLN3572-2RS

ZKLN3572-2RS Bearing 2D drawings and 3D CAD models

Size	35x72x34 mm
Bore Diameter	35 mm
Outer Diameter	72 mm
Width	34 mm
d	35 mm
D	72 mm
B	34 mm
C	34 mm
Angle (?)	60 °
d1	52 mm
r min.	0,3 mm
r1 min.	0,6 mm
Weight	0,51 Kg
Basic dynamic load rating (C)	41 kN
Basic static load rating (C0)	89 kN
Category	Angular Contact Ball Bearings
Inventory	0.0
Manufacturer Name	SCHAEFFLER GROUP
Minimum Buy Quantity	N/A
Weight / Kilogram	0.454
Product Group	B00152
Enclosure	2 Seals
Flush Ground	No
Rolling Element	Ball Bearing



Off-the-shelf SKF shaft Co., Ltd

Number of Rows of Balls	Double Row
Precision Class	ABEC 1 ISO P0
Maximum Capacity / Filling Slot	No
Snap Ring	No
Cage Material	Plastic
Contact Angle	60 Degree
Internal Clearance	C0-Medium
Number of Bearings	1 (Single)
Inch - Metric	Metric
Long Description	35MM Bore; 72MM Outside Diameter; 34MM Width; 2 Seals; No Flush Ground; Ball Bearing; Double Row of Balls; ABEC 1 ISO P0; No Filling Slot; No Snap Ring; C0-Medium; Plastic Cage; 60 Degree; 1 (Single)
Other Features	With Fixing Holes
Category	Angular Contact Ball Bearing
UNSPSC	31171531
Harmonized Tariff Code	8482.10.50.28
Noun	Bearing
Keyword String	Angular Contact
Manufacturer URL	http://www.ina.com
Weight / LBS	1.12436
Outside Diameter	2.835 Inch 72 Millimeter
Width	1.339 Inch 34 Millimeter
Bore	1.378 Inch 35 Millimeter