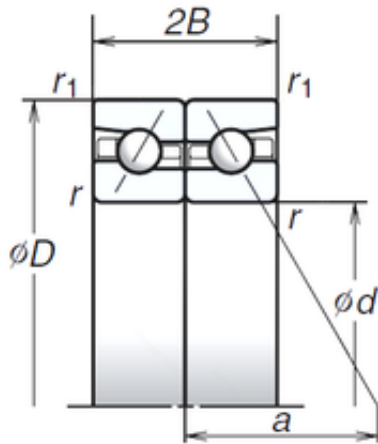




## Off-the-shelf SKF shaft Co., Ltd

### 55 mm x 90 mm x 16,5 mm NSK 55BAR10H TAB High Durability Ball Screw Support Bearing

Bearing No. 55BAR10H



55BAR10H Bearing 2D drawings and 3D CAD models

Size	55x90x16.5 mm
Bore Diameter	55 mm
Outer Diameter	90 mm
Width	16,5 mm
d	55 mm
D	90 mm
B	16,5 mm
C	16,5 mm
Angle ( ° )	30 °
a	28,9 mm
r min.	1,1 mm
r1 min.	0,6 mm
2B	33 mm
Weight	0,391 Kg
Basic dynamic load rating (C)	18,2 kN
Basic static load rating (C0)	35 kN
(Grease) Lubrication Speed	11 800 r/min
(Oil) Lubrication Speed	14 500 r/min