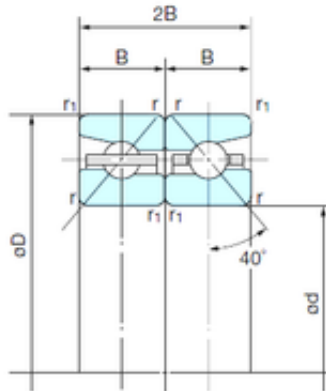




Off-the-shelf SKF shaft Co., Ltd

50 mm x 80 mm x 14,25 mm NACHI 50TBH10DB TAC series for ball screw support



Bearing No. 50TBH10DB

Size	50x80x14.25 mm
Bore Diameter	50 mm
Outer Diameter	80 mm
Width	14,25 mm
d	50 mm
D	80 mm
B	14,25 mm
Angle ()	40 °
r min.	1 mm
r1 min.	0.6 mm
2B	28,5 mm
Basic dynamic load rating (C)	22,8 kN
Basic static load rating (C0)	53 kN
(Grease) Lubrication Speed	7700 r/min

50TBH10DB Bearing 2D drawings and 3D CAD models