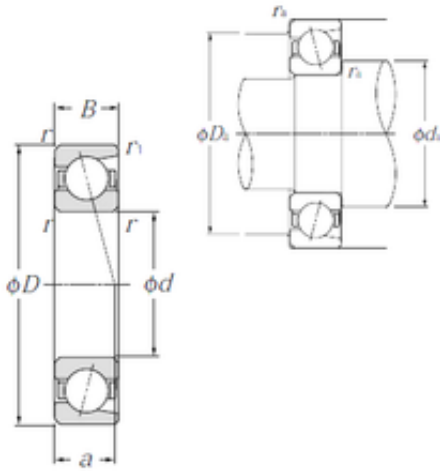




Off-the-shelf SKF shaft Co., Ltd

50 mm x 90 mm x 20 mm NTN 7210C Tandem arrangement Bearings



Bearing No. 7210C

Size	50x90x20 mm
Bore Diameter	50 mm
Outer Diameter	90 mm
Width	20 mm
d	50 mm
D	90 mm
B	20 mm
C	20 mm
Angle (°)	15 °
a	19,5 mm
r min.	1,1 mm
r1 min.	0,6 mm
Weight	0,454 Kg
Basic dynamic load rating (C)	43 kN
Basic static load rating (C0)	31,5 kN
(Grease) Lubrication Speed	12 000 r/min
(Oil) Lubrication Speed	15 000 r/min

7210C Bearing 2D drawings and 3D CAD models